

17 NORTH WABASH

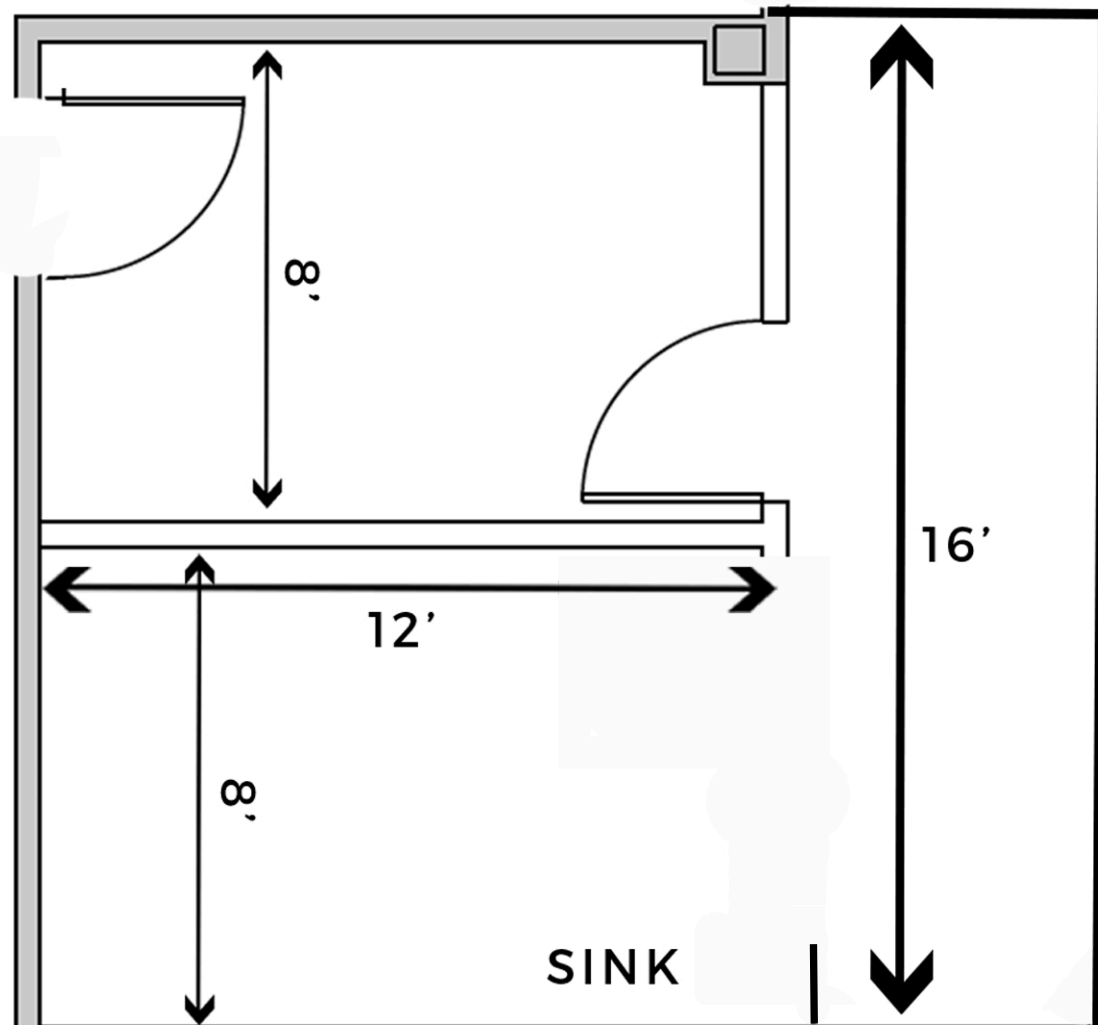
← The Shops Building →

Suite 510 - 320 SF



**WILLARD
JONES**
REAL ESTATE

www.willardjones.com



All dimensions indicated on this plan are approximate and should be field verified.

