

# 17 NORTH WABASH

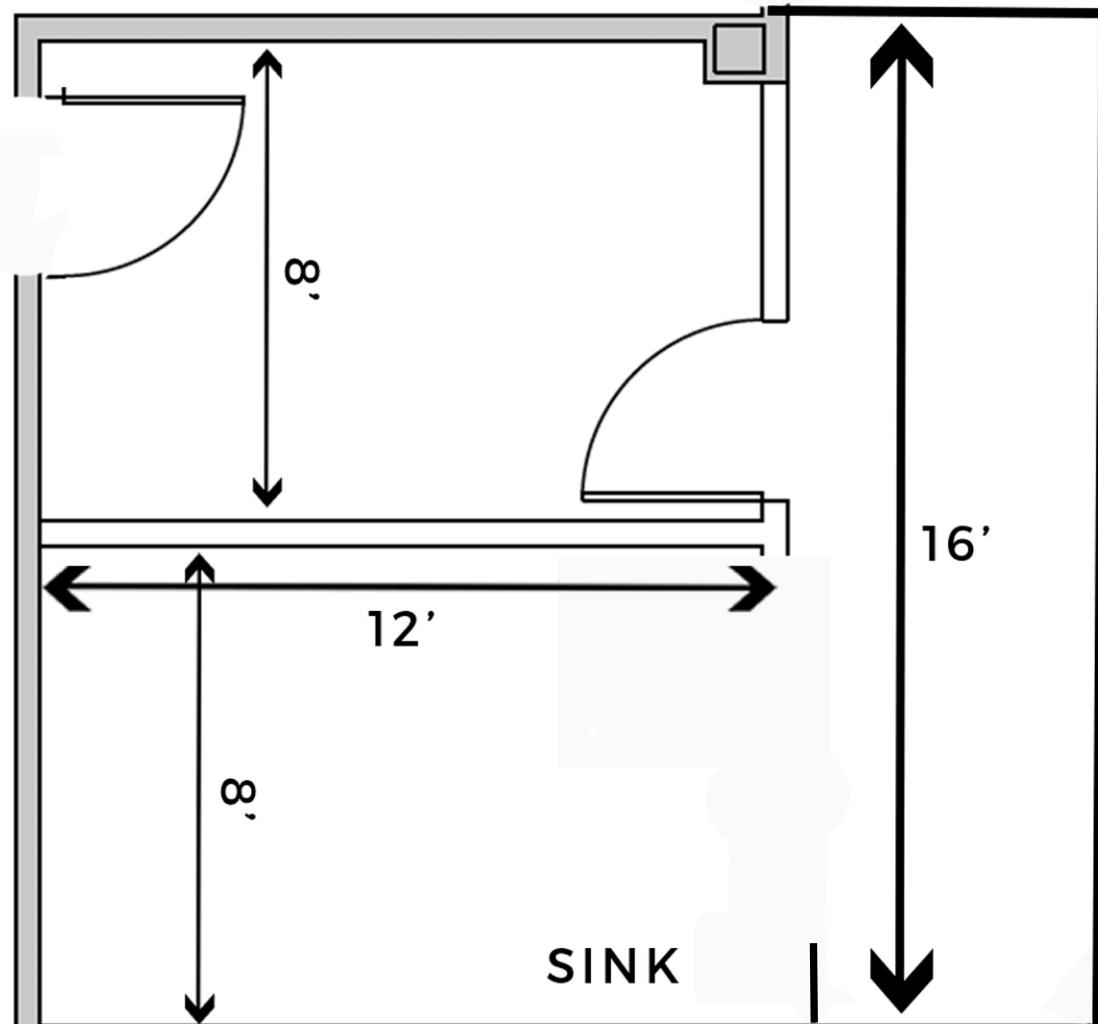
← The Shops Building →

Suite 510 - 320 SF



**WILLARD  
JONES**  
REAL ESTATE

[www.willardjones.com](http://www.willardjones.com)



*All dimensions indicated on this plan are approximate and should be field verified.*

